

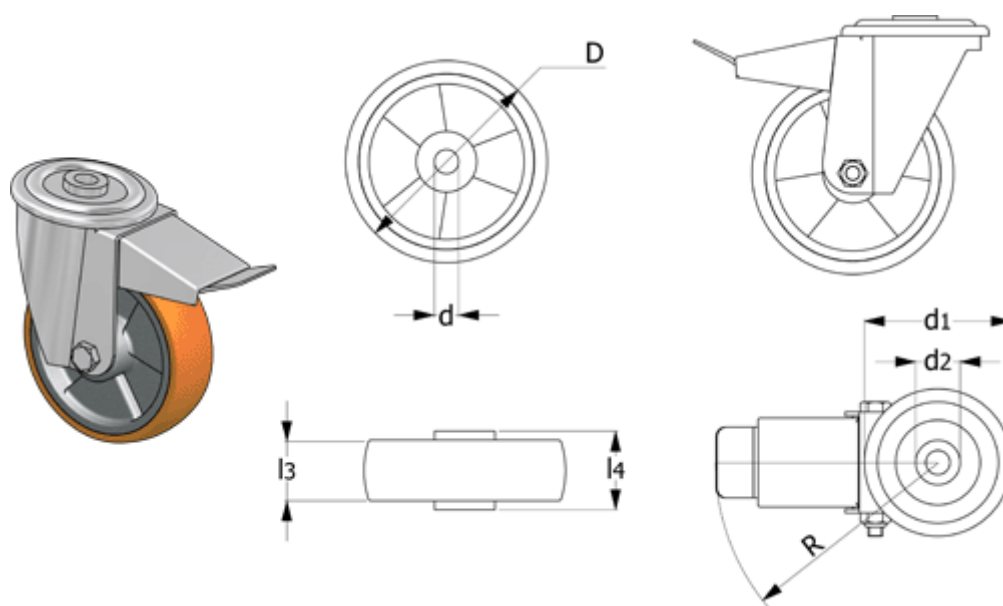
# Data Sheet



Article number: 2314451911

Description: E+G Aluminiums wheel 451911  
RE.F5-125-FSF turning plate w/brake

## Measures



b3	= 37	l3	= 35
Code	= 451911	l4	= 40
d	= 12	R	= 120
D	= 125	Rolling resistance (N)	= 2800
d1	= 73	Type	= RE.F5-125-FSF
d2	= 12	Weight (g)	= 1080
Dynamic load (N)	= 2200		
H	= 156		